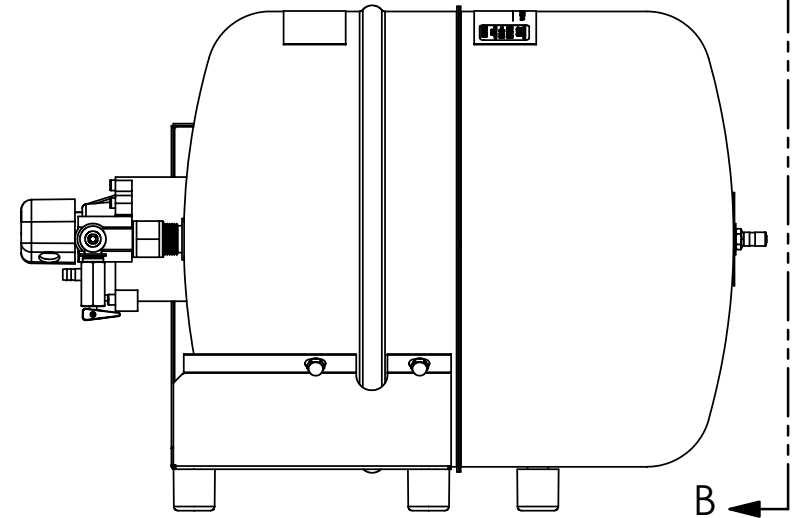
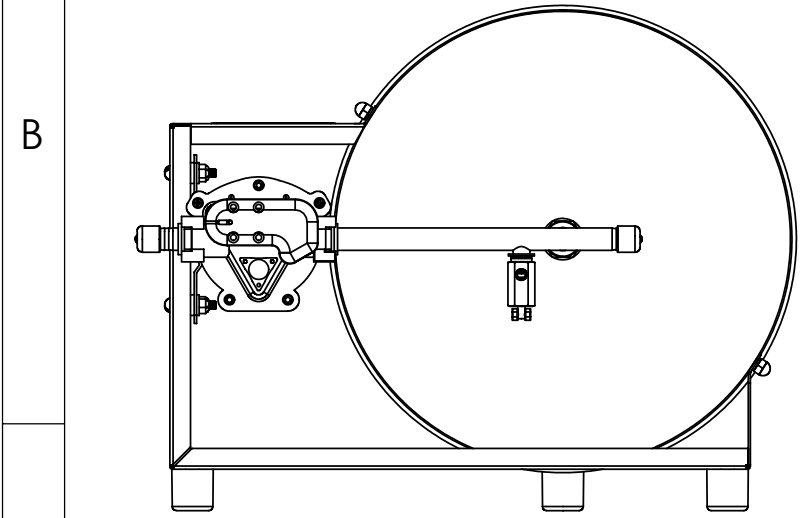
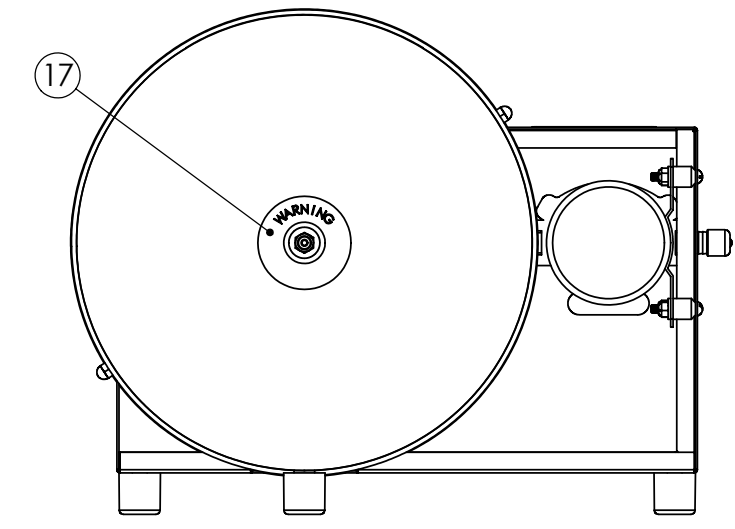
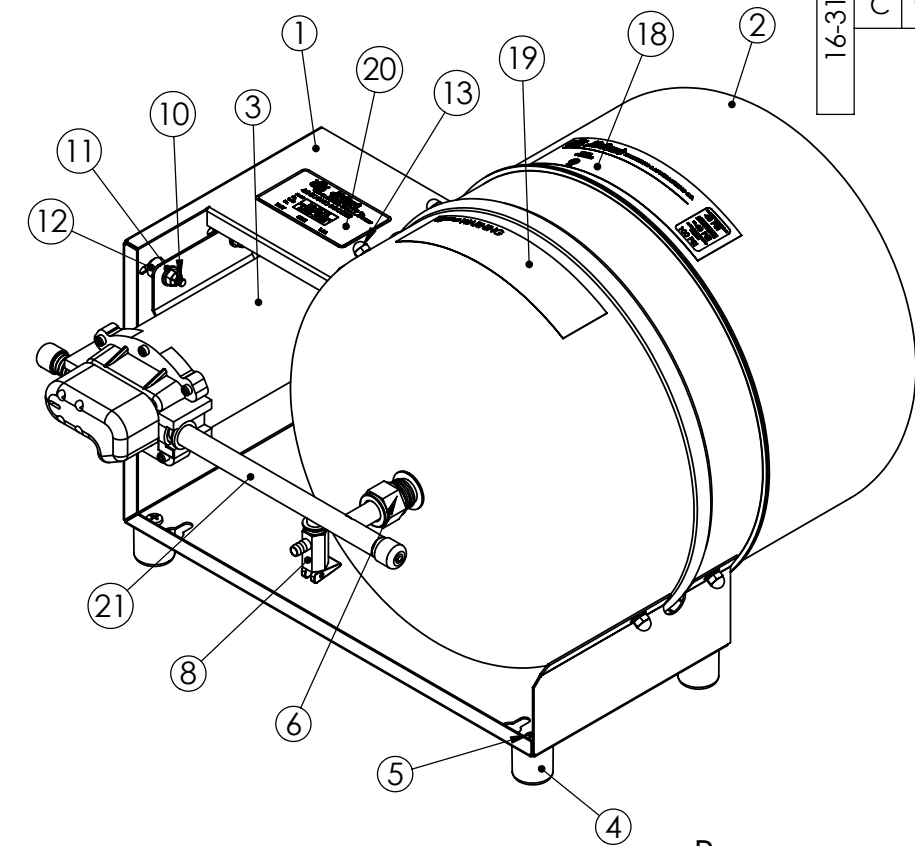
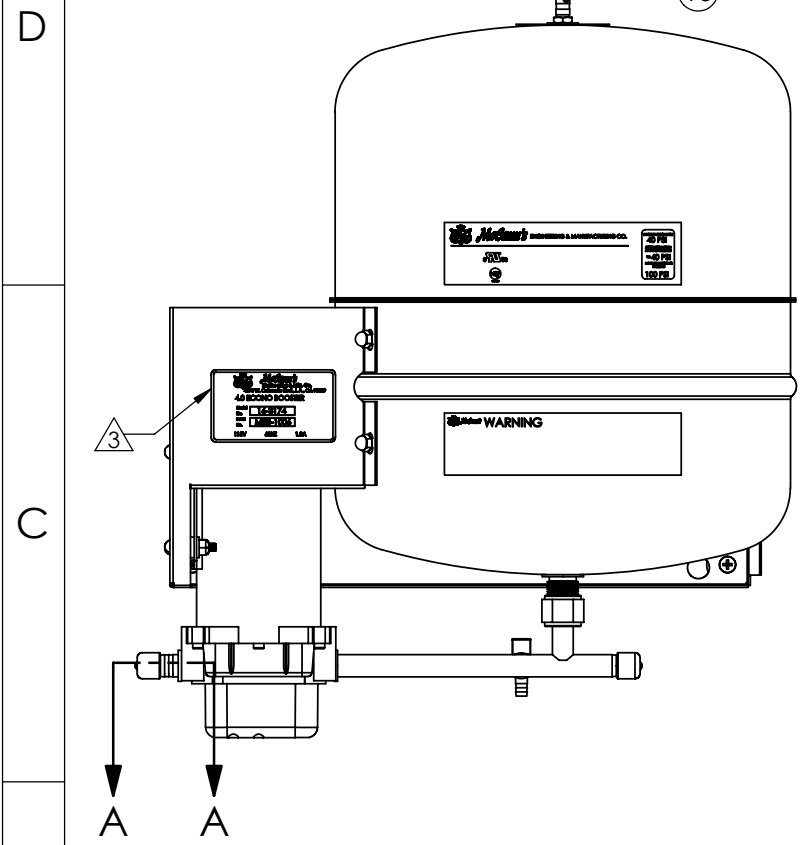


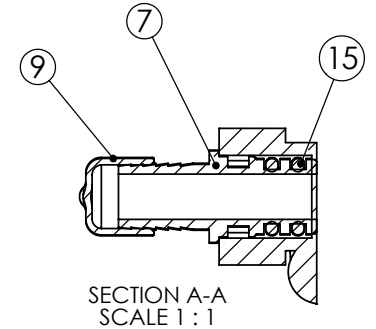
FIRST PRODUCTION SAMPLE MUST BE SUBMITTED TO McCANN'S ENGINEERING & MFG. CO. FOR APPROVAL.

REVISIONS					
REV	ECN#	DESCRIPTION	DRFT.	APPR.	DATE
C	9633	MODIFIED PARTS LIST TO REFLECT THE CHANGE IN ITEMS 5, 7, 9, 18 & 21	T.VU		08/26/04



ITEM NO.	QTY.	PART NO.	DESCRIPTION
21	1	15-2834	ASSY., MANIFOLD, ECONO BOOSTER, 3 & 4 GALLON
20	1	18-1854	LABEL, MODEL/SERIAL NUMBER, ECONO BOOSTER #16-3174
19	1	18-1812	LABEL, WATER BOOSTER, SS, "WARING"
18	1	18-1521	LABEL, ECONO BOOSTER, PRESSURE, SYSTEM CHARGE, TK ONLY
17	1	18-1414	LABEL, WATER BOOSTER, SS, TANK VALVE, "WARING"
16	1	10-1658	FITTING, NICKEL PLATED BRASS, TANK VALVE
15	4	10-0033	O-RING, EP, .425 X .103, SOURCE CONTROL
14	4	10-0255	LOCK WASHER
13	4	00-0013	NUT, ACRON, #10-32, BRASS, NICKEL PLATED
12	4	10-1901	NUT, HEX, 10-32, ZINC PLATED, GRADE 2, W/NYLON INSERT
11	4	10-0218	WASHER, FLAT, SS, .218 ID X .50 OD X .06 THICK
10	4	10-0546	SCREW, 10-32 X 1 1/8, ROUND, SLOT
9	2	10-1917	CAP PLUG, VC-531-8, VINYL
8	1	19-0692	VALVE PRESSURE RELIEF WITH BARB 150 PSI
7	1	19-0919	FITTING, 1/2 BARB X O-RING (10-0033)
6	1	10-1676	GASKET, FLARE, 1/2 SAE
5	4	10-0528	SCREW, 10-32 X 3/4, PAN PHILLIPS
4	5	00-1217	FOOT, CARBONATOR TANKS & BASES
3	1	16-0166	PUMP, DIAPHRAGM, 115V MOTOR, 60 HZ, 1.3 A, AQUATEC
2	1	15-2806	ASSY., ECONO BOOSTER, 4 GALLON
1	1	14-5078	BRACKET, ECONO BOOSTER, 3 & 4 GALLON

3 ALL LABELS & DECALS TO BE PLACED APPROX. WHERE SHOWN.
 2 (DELETED)
 1. IDENTIFY SHIPPING CONTAINER WITH PART NO., & LATEST REV. LETTER.
 NOTES: UNLESS OTHERWISE SPECIFIED.



LIST OF MATERIALS				
DO NOT SCALE THIS DRAWING.	HOLE DIA	TOL-.002	HOLE DIA	TOL-.002
ALL DIMENSIONS ARE IN INCHES.	.013-.125	+0.003	.501-.750	+0.007
THREADS PER ASA AND SAE STANDARDS.	.126-.250	+0.004	.751-1.00	+0.009
	.251-.500	+0.005	1.001-2.00	+0.011
CYLINDRICAL SURFACES AND FACES TO BE SQUARE WITHIN .005 PER INCH.	TOLERANCES FOR:			
ALL DIAMETERS TO BE CONCENTRIC TO COMMON CENTER LINE WITHIN .005 TIR.	MACHINED/MOLDED PARTS	XXX=±.005	XX=±.010	XX=±.015 ±.060
BREAK ALL SHARP EDGES .005/.015 R OR .005/.015 X 45°±5° CHAMFER.	ANGLES	X=±.015 ±1/2°	FINISH	63
MATERIAL:	SEE PARTS LIST			
McCann's P/N:				
DR	L.B.	1/22/03	DWG NO.	16-3174
CHK			REV	C

McCann's Engineering & Mfg. Co.
 4570 W. Colorado Blvd.
 Los Angeles CA, 90039

ASSY., ECONO BOOSTER, 115V, SS, 4.0 GALLON

SCALE: 1:3 SHEET 1 OF 1